



# Background suppression sensor

## RLK23-8-H-500-RT/31/116

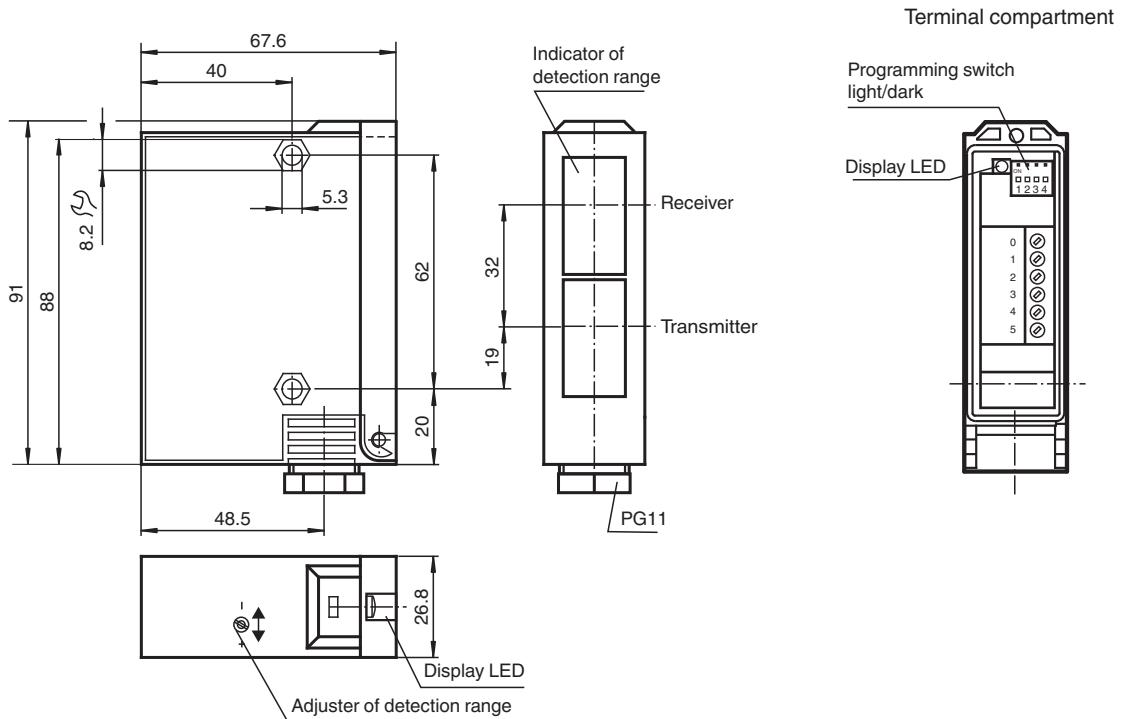


- Adjustable background suppression
- Visible red light
- Sturdy plastic housing
- Optical surface made of scratch-resistant glass

Background suppression sensor



### Dimensions



Release date: 2023-03-28 Date of issue: 2023-03-28 Filename: 419484\_eng.pdf

Refer to "General Notes Relating to Pepperl+Fuchs Product Information".

Pepperl+Fuchs Group  
www.pepperl-fuchs.com

USA: +1 330 486 0001  
fa-info@us.pepperl-fuchs.com

Germany: +49 621 776 1111  
fa-info@de.pepperl-fuchs.com

Singapore: +65 6779 9091  
fa-info@sg.pepperl-fuchs.com

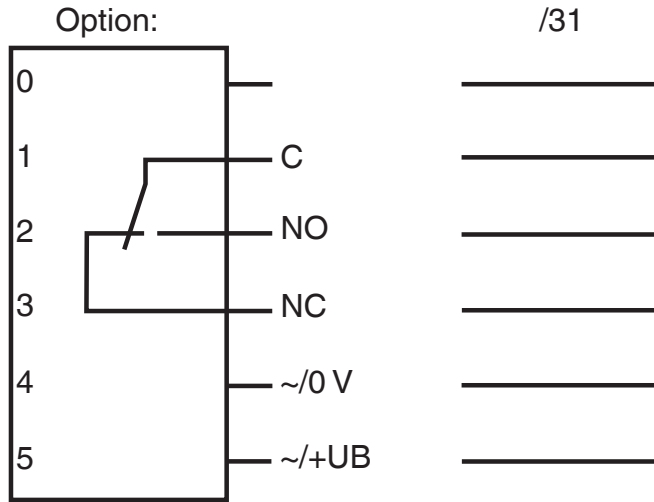
**PF** PEPPERL+FUCHS

## Technical Data

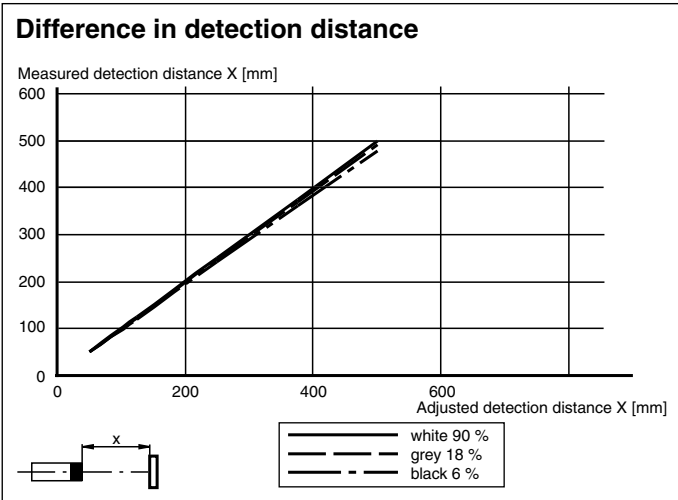
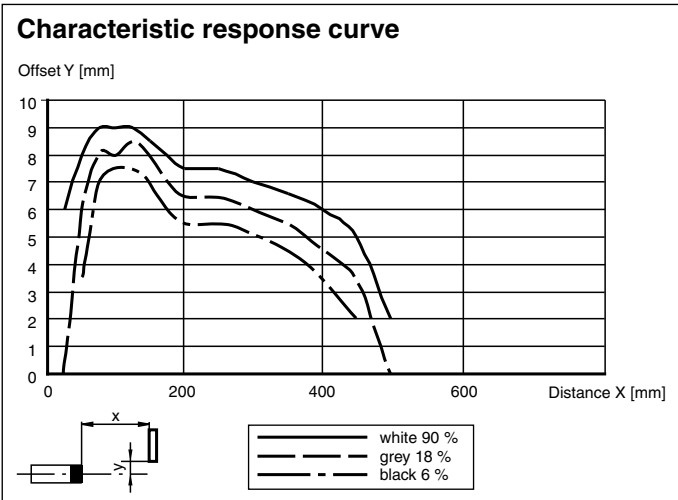
General specifications		
Detection range		50 ... 500 mm
Detection range min.		50 ... 150 mm
Detection range max.		50 ... 500 mm
Light source		LED
Light type		modulated visible red light
Black-white difference (6 %/90 %)		< 5 %
Diameter of the light spot		12 mm at 500 mm sensor range
Opening angle		1.5 °
Ambient light limit		12000 Lux
Functional safety related parameters		
MTTF <sub>d</sub>		850 a
Mission Time (T <sub>M</sub> )		20 a
Diagnostic Coverage (DC)		0 %
Indicators/operating means		
Function indicator		LED yellow, lights up with receiver lit
Control elements		Programming switch for light/dark switching
Control elements		Sensing range adjuster
Electrical specifications		
Operating voltage	U <sub>B</sub>	12 ... 240 V AC/DC (automatic adaption to +UB)
Power consumption	P <sub>0</sub>	3 VA
Output		
Switching type		light/dark on switchable
Signal output		1 relay, 1 alternator
Switching voltage		max. 240 V AC
Switching current		max. 2 A
Switching frequency	f	10 Hz
Response time		50 ms
Conformity		
Product standard		EN 60947-5-2
Approvals and certificates		
UL approval		cULus
CCC approval		Certified by China Compulsory Certification (CCC)
Ambient conditions		
Ambient temperature		-20 ... 60 °C (-4 ... 140 °F)
Storage temperature		-20 ... 75 °C (-4 ... 167 °F)
Mechanical specifications		
Housing width		26.8 mm
Housing height		91 mm
Housing depth		67.6 mm
Degree of protection		IP65
Connection		terminal compartment
Material		
Housing		Terluran® GV15
Optical face		glass
Mass		180 g

Release date: 2023-03-28 Date of issue: 2023-03-28 Filename: 419484\_eng.pdf



**Connection Assignment**



**Characteristic Curve**





**Accessories**

	<b>OMH-05</b>	Mounting aid for round steel $\varnothing$ 12 mm or sheet 1.5 mm ... 3 mm
	<b>OMH-21</b>	Mounting bracket: mounting aid for sensors in the RL* series

Release date: 2023-03-28 Date of issue: 2023-03-28 Filename: 419484\_eng.pdf

Refer to "General Notes Relating to Pepperl+Fuchs Product Information".

**Accessories**

	<b>OMH-22</b>	Mounting aid for RL* series
	<b>OMH-RLK29-HW</b>	Mounting bracket for rear wall mounting

**Light-on/dark-on changeover switch**

 <p>ON 1 2 3 4</p>	<p>Dark on</p>
 <p>ON 1 2 3 4</p>	<p>Light on</p>

Release date: 2023-03-28 Date of issue: 2023-03-28 Filename: 419484\_eng.pdf

Refer to "General Notes Relating to Pepperl+Fuchs Product Information".

Pepperl+Fuchs Group  
www.pepperl-fuchs.com

USA: +1 330 486 0001  
fa-info@us.pepperl-fuchs.com

Germany: +49 621 776 1111  
fa-info@de.pepperl-fuchs.com

Singapore: +65 6779 9091  
fa-info@sg.pepperl-fuchs.com